

Horizontal Tanks for Air-Over-Water Systems

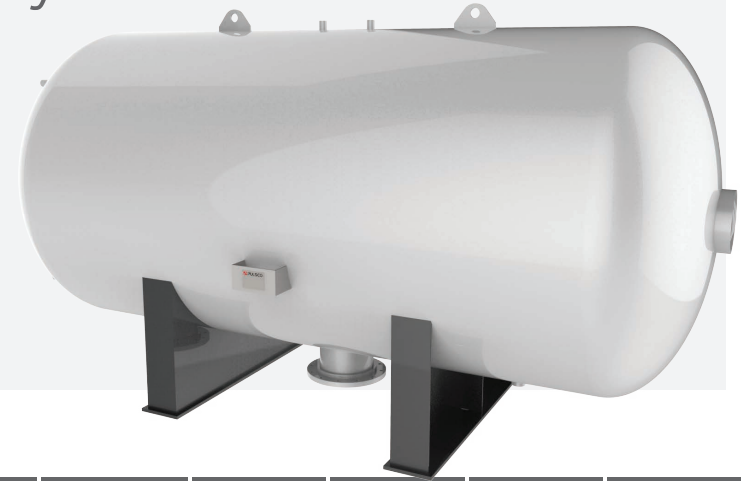
1,000 - 15,000 Gallons
150 psi & 250 psi

PULSCO's Horizontal Air-Over-Water System offers an effective solution for pressure and surge control applications. When paired with PULSCO's Skypark Controller and instrumentation, these systems are used to protect valuable assets along the pipeline.

All tanks are built to order in compliance with ASME BPVC VIII Div 1, with options for API & CRN. Ladders and platforms are available upon request.

The CT is designed for ease of operation and maintenance, with the highest standards of quality and performance.

PULSCO offers assistance with tank size selection for the given application. Completely customizable solutions are also available.



STANDARD SIZES - FIT TO SYSTEM

Select a model number using the table to the right.

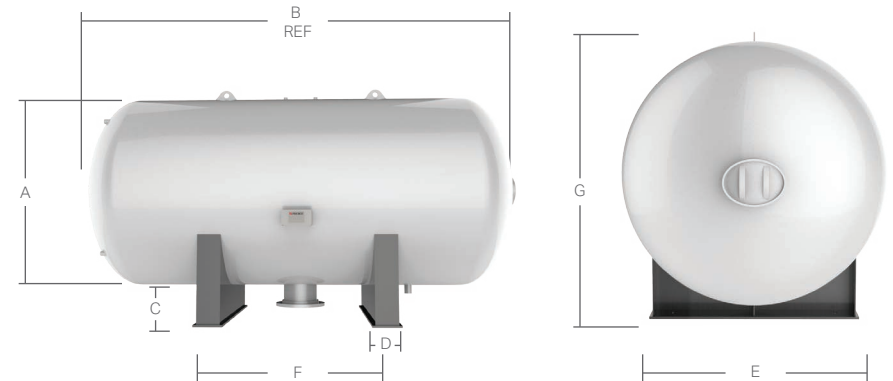
1. Select Volume
2. Select 150 psi or 250 psi
3. Select Model Number

Add the selected pressure (150 psi or 250 psi) to the end of the Model Number.

Ex. For a selection of 250 psi, the Model Number is CT-48-1000-250

Model Number	Volume		Dry Weight 150 psi		Dry Weight 250 psi		Outside Diameter A	Overall Length B	Bottom Clearance* C	Baseplate Width D	Baseplate Length E	Saddle Spacing F	Overall Height G
	Gallons	Liters	Pounds	Kilograms	Pounds	Kilograms	Inches	Inches	Inches	Inches	Inches	Inches	Inches
CT-48-1000	1,000	3,785	2,700	1,230	4,050	1,845	48	147	12	8	44	96	66
CT-60-1000	1,000	3,785	3,000	1,400	4,500	2,100	60	105	12	8	54	48	78
CT-54-1500	1,500	5,778	4,000	1,800	6,000	2,700	54	174	12	8	48	96	72
CT-66-1500	1,500	5,778	4,200	1,900	6,300	2,850	66	120	12	8	60	54	84
CT-60-2000	2,000	7,570	5,200	2,400	7,800	3,600	60	177	12	10	54	96	78
CT-72-2000	2,000	7,570	5,500	2,500	8,250	3,750	72	135	12	10	66	66	90
CT-72-2500	2,500	9,463	6,600	3,000	9,900	4,500	72	159	12	10	66	90	90
CT-78-3000	3,000	11,355	7,500	3,400	11,250	5,100	78	162	12	10	72	84	96
CT-72-4000	4,000	15,140	8,300	3,800	12,450	5,700	72	255	12	12	66	180	90
CT-84-4000	4,000	15,140	8,500	3,900	12,750	5,850	84	189	18	12	76	108	108
CT-72-4500	4,500	17,033	8,800	4,000	13,200	6,000	72	279	18	12	66	204	96
CT-84-4500	4,500	17,033	9,200	4,200	13,800	6,300	84	213	18	12	76	132	108
CT-84-5000	5,000	18,925	10,000	4,500	15,000	6,750	84	237	18	12	76	156	108
CT-96-7500	7,500	28,388	14,000	6,400	21,000	9,600	96	267	18	14	86	180	120
CT-108-10000	10,000	37,850	18,000	8,200	27,000	12,300	108	297	18	14	96	192	132
CT-120-15000	15,000	56,775	25,000	11,400	37,500	17,100	120	351	18	16	108	228	144

*Clearance dimension is adjustable
All values to be used as reference



	Included	Available Options
Manway	14 x 18 Elliptical	18, 24, or 30 Inches
MAWP	150 psi or 250 psi	--
Connection Size	Up to 24 in. 150 lbs. Max	--
Connection Orientation	Bottom	Side or Recirculating
Interior Paint System	Epoxy	NSF61
Exterior Paint System	Epoxy Primer Urethane Finish (Top Coat)	Zinc Primer (Optional for Coastal)
Color	Tan or Blue	Select from color chart